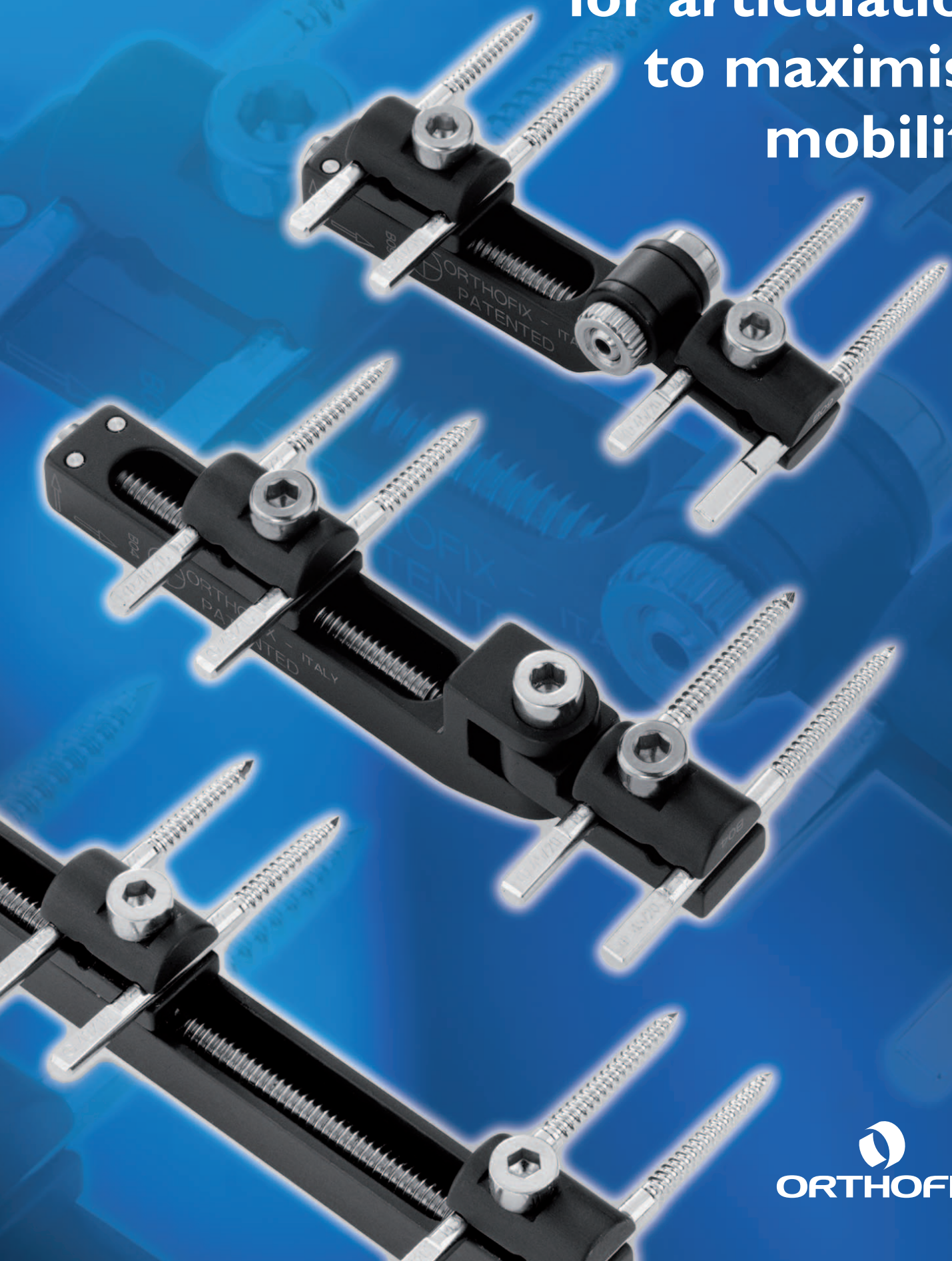
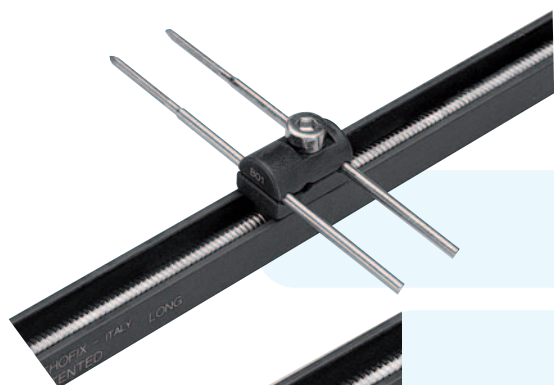


**Lengthening
with option
for articulation
to maximise
mobility**



Lengthening with option for articulation to maximise mobility



Three screw seats

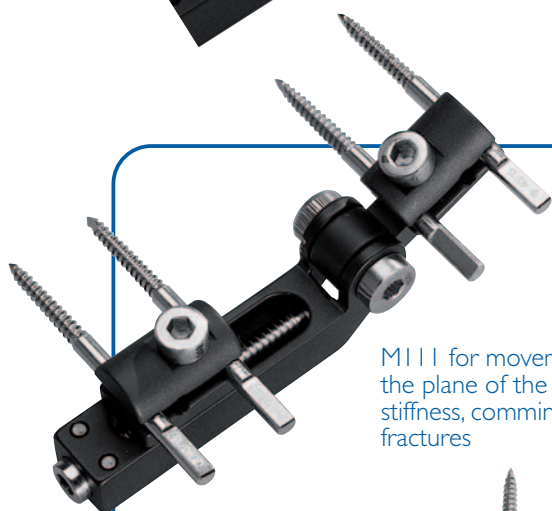
accomodating either 2 mm threaded wires or 3 mm bone screws

Threaded screw for compression and/or distraction 360° turn clockwise/anticlockwise for 1 mm distraction/compression respectively



Optional T-clamp attachment

for insertion of screws close to the joint at right angles to the longitudinal axis



M111 for movement at 90 degrees to the plane of the bone screws: for joint stiffness, comminuted intra-articular fractures

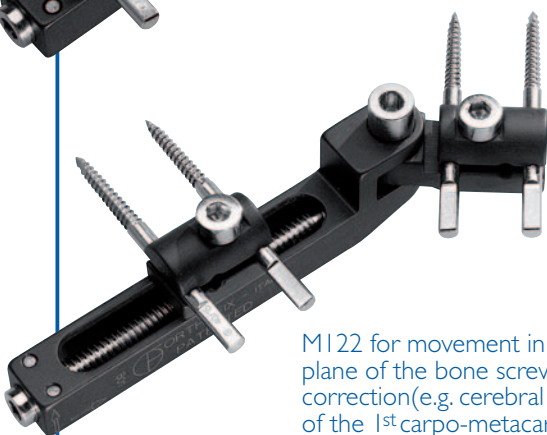
Articulation in horizontal or vertical axis

Ordering Information

Code No	Description
M102	Minirail Long Lengthener (for lengthening up to 135.5 mm)
M101	Minirail Standard Lengthener (for lengthening up to 57.5 mm)
M103	Minirail Short Lengthener (for lengthening up to 32.5)
M111	Horizontal Axis
M122	Vertical Axis

For Further ordering information see section "MiniRail System" in the Orthofix General Catalogue

See Quick Reference Guides PG 14A and PG 14B



M122 for movement in the angulation plane of the bone screws: for soft tissue correction (e.g. cerebral palsy), arthrodesis of the 1st carpo-metacarpal joint following soft tissue correction

Your Distributor is:

References:

- 1) Li Wen-jun, Tian Wen, Tian Guang-lei, Chen Shan-lin, Zhang Chang-qing, Xue Yun-hao, Li Zhong-zhe and Zhu Yin. Management of intra-articular fracture of the fingers via mini external fixator combined with limited internal fixation. Chin Med J 2009;122(21):2616-2619.
- 2) S. Baccan, H. Charfi, M. Daghfous, K. Ennour, L. Tarhoui, H. Bahn: Les allongements digitaux par distraction progressive. Digital lengthening by gradual distraction. Chirurgie de la main 25 (2006) 33—39.
- 3) DeHeer P. Forefoot applications of external fixation. Clinics in Podiatric Medicine and Surgery, 2003, Volume 20, Issue 1, Pages 27-44.